

GRAND TIGER

MECHANICAL & INDUSTRIAL



Tel: 17 621 971 - Fax: 17 620 213 - P.O.Box: 5732 - Sanad, Kingdom of Bahrain

E-mail: gtiger@batelco.com.bh - Website: www.grandtiger.com



W E A D A P T I R O N

GRAND TIGER

MECHANICAL & INDUSTRIAL

W E A D O P T I R O N



GRAND TIGER

We adopt iron

INTRODUCTION

We take this opportunity to introduce “Grand Tiger for Mechanical & Industrial BSC (c)”, as a mechanical contractor equipped with all the facilities required to cope with the modern construction needs.

The strengths of the company could be listed as below.

1. Grand Tiger for Industrial is the first company on the Island to be provided with an Industrial License Certificate to manufacture truck, trailer and tanker bodies (License No.: 3198/01)
2. Our resources include a fully equipped prefabrication workshop
3. Modern fleet of construction equipment
4. Experienced team of permanent employees which includes qualified Engineers and more than 80 qualified welders
5. Mechanical works such as fabrication of pipes, truck and trailer bodies, sewerage tankers, vacuum tankers, drinking water tankers etc. has been undertaken
6. We have the support of all types of lifting equipment such as cranes, forklift trucks, telescopic handlers, manlifts etc.

The Company is equipped to carry out activities such as

1. Structural Steel Fabrication and Erection
2. Sand Blasting, Painting, Specialist Coating and Fireproofing
3. Refractory Lining and Associated Services
4. Civil Construction and Foundation Work
5. Structural Steel fabrication
6. Crane and Equipment Hire

7. Erection, repair and cleaning of storage tanks
8. Mechanical Installations

Commitment towards Safety & Environment

Grand Tiger for Mechanical & Industrial is committed to providing healthy and safe working conditions for all its employees and to protecting the environment by preventing pollution and wastage. We will comply with the relevant legislation and regulations to achieve this end.

The company has established health, safety and environmental (HSE) objectives and targets which are reviewed periodically to achieve continual improvement.

All employees will undergo induction and refresher courses which will help them to fulfil their HS & E responsibilities. Employees will receive management support and encouragement to use approved procedures and practices which will benefit themselves, the Company, the Clients and the Society.

Sayed Mahdi Al Durazi
Manager

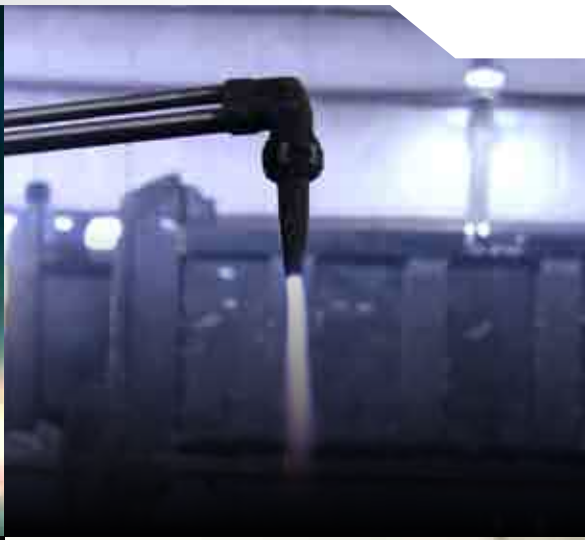
The image features a close-up of a tiger's face, showing its characteristic orange and black stripes. A diamond-plate metal texture is overlaid on the top and bottom portions of the image, creating a rugged, industrial aesthetic. The text is centered in the middle of the frame.

GRAND TIGER

MECHANICAL & INDUSTRIAL



We adopt iron



■ OUR VISION:

To be recognized as the largest qualified manufacturer of reliable products.

■ OUR MISSION:

To provide reliable products and best possible service for our clients, all under one roof at reasonable prices, with timely delivery of products.

■ OUR ACTIVITIES:

We are equipped to carry out the following activities.

Truck body manufacturing

Trailer body manufacturing

Manufacturing of tankers, such as water tankers, vacuum tankers, diesel tankers

Structural Steel Fabrication and Erection

Sand Blasting, Painting, Specialist Coating and Fireproofing

Refractory Lining and Associated Services

Civil Construction and Foundation Work

Structural Steel fabrication

Crane and Equipment Hire

Erection, repair and cleaning of storage tanks

Mechanical installations



■ OUR CUSTOMER SERVICE:

Our customer service is available 7 days a week from 7.00 AM to 5.00 PM to answer your questions about product ordering, availability and pricing. We take great pride in providing superior service to all of our customers and strive to establish long-term working relationships in order to ensure delivery of high quality products.

■ OUR STAFF:

We have dedicated and professional staff to cater all variety of customer needs. The abilities of the staff are periodically upgraded by means of on job training and classes. They are suitably tested and the abilities are validated by proper certifications.



G
R
A
N
D
T
I
G
E
R

■ OUR STRENGTHS:

Grand Tiger Mechanical & Industrial (GTMI) is the first company on the island that was provided with an industrial license certificate to manufacture truck, trailer, and tanker bodies (License No. 3198/01), by the Industrial Projects Directorate of the Ministry of Industry and Commerce.

Our resources include:

- A fully equipped pre-fabrication workshop
- Modern fleet of construction equipment
- Experienced team of permanent employees which includes qualified engineers / administrators / and welders
- All types of lifting equipments such as cranes, forklift trucks, telescopic handlers & man lifts.

Our equipment and machinery is in conformity with international standards. We have a multinational Manpower who are well qualified in their field of operation.

Our operations are validated by the ISO 9001:2008, ISO 14001:2004, OHSAS 18001:2006 certification.



■ OUR PLANT & EQUIPMENT:

We have a sophisticated range of plant and equipment. The facilities are upgraded periodically by introducing the latest range of products to the facilities.



■ OUR SAFETY POLICIES:

Grand Tiger for Mechanical & Industrial is committed to providing healthy and safe working conditions for all its employees and to protecting the environment by preventing pollution and wastage. We comply with the relevant legislation and regulations to achieve this end.

The company has established health, safety and environmental (HSE) objectives and targets which are reviewed periodically to achieve continual improvement.

All employees undergo induction and refresher courses which will help them to fulfil their H S & E responsibilities. Employees receive management support and encouragement to use approved procedures and practices with which they would benefit themselves, the Company, the Clients and the Society.

■ OUR INSPECTION POLICY:

We follow international standards by maintaining strict Q.C and conduct testing of each and every product/plant and all components individually as well. We recommend all our customers to carry out complete detailed inspection of the product/plant according to their respective contract, prior to shipment. Our company assigns an engineer and a company executive to carry out the inspection smoothly for each customer's satisfaction.



■ OUR QUALITY:

It is our mission to provide the best quality products to our clients. We are contending to maintain our quality levels by regular quality checks. All the products are duly tested by a team of experts who maintain a strict vigil in accordance with our quality policies. We are working continuously to reach the pinnacle of perfection by updating our technology and expertise

■ OUR SERVICES:

We have a team of qualified Engineers and our company will provide you complete services for setting up of the project including plant layouts, civil drawings, electrical drawings and installation drawings to enable the customer's complete satisfaction. Our team of qualified engineers has more than 25 years of experience and training in the fabrication division. Our engineering department is available to assist you with any technical difficulty and parts backup at all times



I
N
S
T
R
U
M
E
N
T
A
T
I
O
N

■ INSTRUMENTATION

At Grand Tiger mechanical and Industrial, we understand the importance of maintaining the tools and equipment we use. The instruments in use are periodically calibrated and their performance is ratified by a third party certificate.

It is very well understood that a precise tool would provide you a perfect product. It is an instrument that measures and regulates physical quantity process variables such as flow, temperature level, or pressure.

At Grand Tiger, the Quality inspectors are so keen that none of the instruments are used if not calibrated at proper intervals.

The calibration is recorded and the data is updated on each machine, in a proper visible area. The results are continually monitored by internal Quality Audit and external ISO audits.





■ CEMENT SILO & TANKERS

CEMENT SILO AND TANKS

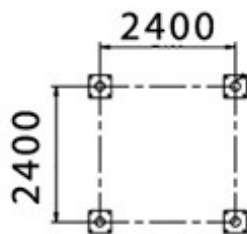
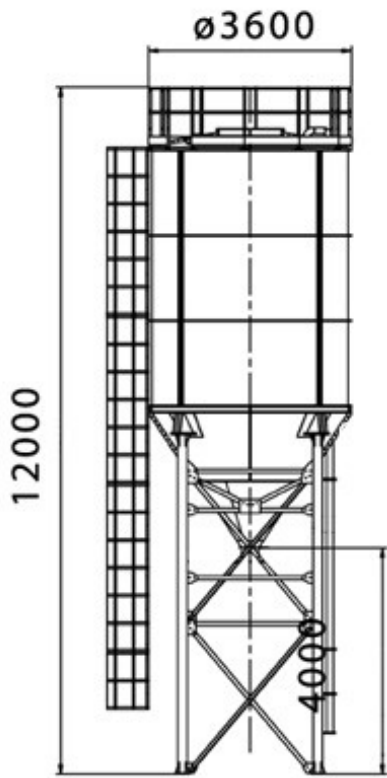
Cement Silos and Tanks are made for storage and distribution of diverse types of cement mixtures along with other liquid body of elements. The sizes and specifications are usually customised upon customer requirements. Our experience in fabricating these types of tanks allows us to recommend the best options for your cement plant or construction site. Each customised piece of silo and tank manufactured by us are inspected at every stage to insure the dimension, the welding, and quality standard specifications.

TECHNICAL SPECIFICATIONS:

The silo shell is produced from steel of 6mm thickness and equipped with baffles. The front and rear dished ends are also made from steel of 6mm thickness. The silo is equipped with conical hoppers to facilitate discharging of cement. The silo is complete with quality manholes, walkway, ladder and side support.

OTHER SILOS AND TANKS

Designing and manufacturing customised Silos and Tanks for any of your need, i.e. Chemical, Cement storage silos, Tower silo, Bunker silos, Bag silos, Sand and Salt Silos, etc., could be met at Grand Tiger.

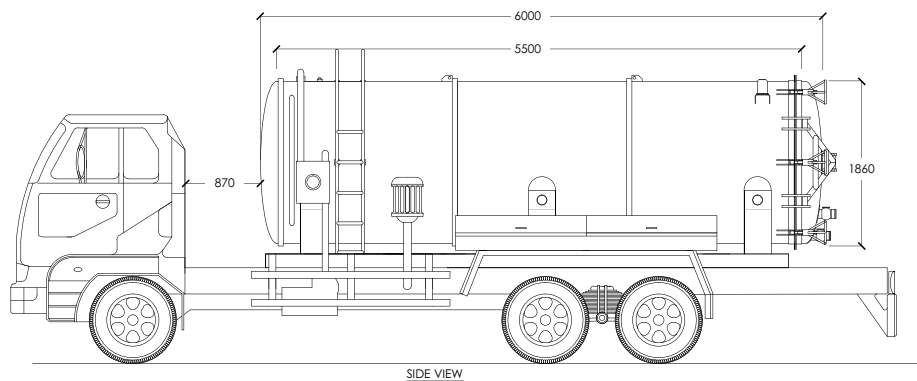




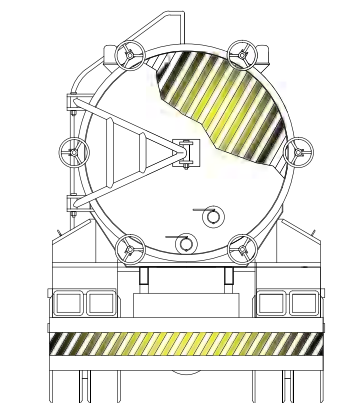
VACUUM TANKER

4000 Gallon

SEWERAGE VACUUM TANKER			
.No	Description	.Qty	Remarks
1	Capacity	1	Depending on vehicle capacity or as per client request
2	Ring support	5	Channel bars
3	Dish end	2	Dome shape – 6mm thick ms plate
4	Base	3	6mm thick ms plate
5	Dish end hinges	1	20mm thick plate w/ 50mm dia. pins
6	Rear Dish end lock system	6	12mm thick plate, threaded 40mm dia. w/ 16mm dia. handles
7	Vacuum Pump	1	Italy made – Bationni Paggani
8	Exhaust Silencer	1	Optional
9	Primary Shut-Off Valve	1	Italy made – Bationni Paggani
10	Secondary Shut-Off Valve	1	Italy made – Bationni Paggani
11	Pressure Relief Valve	1	Italy made – Bationni Paggani
12	Suction line	1	dia. x 9m heavy duty suction hose w/ valves & fittings “4
13	Discharge line	1	dia. x 9m heavy duty delivery hose w/ valves & fittings “4
14	Ladder	1	Steps 5
15	Electrical system		LED, Sealed harness, 3 marker lights per side, tail, reverse, 2 rotating beacon and plate number lights
16	Level Gage	2	Clear PVC hose w/ valves and fittings
17	Rear Bumper	1	Meets under ride requirements
18	Side bumper	2	L/R - Tubular section
19	Rear dish end stripes		As per traffic requirements
20	House Rack	1	Fabricated w/ 3mm plate lidded box tyype
21	Mud Guard	2	Fabricated with 3mm thick ms plate



SIDE VIEW



REAR VIEW



W
A
T
E
R
T
A
N
K
E
R

■ WATER TANKER

DRINKING WATER TANKER 4000 USG / 15141 L			
.No	Description	.Qty	Remark
1	Shell	1	Optional - Stainless plate or Epoxy coated GI plate
2	Semi Spherical End	2	Optional - Stainless plate or Epoxy coated GI plate
3	Baffle plates	4	Optional - Stainless plate or Epoxy coated GI plate
4	Bases	5	Optional - Stainless plate or Epoxy coated GI plate
5	Water Pump	1	Optional – P.T.O driven
6	Pressure Relief Valve	1	.dia "2
7	Top frame	1	Optional – Galvanized or stainless plate
8	Top grating	1	Serrated 2x1"x4mm w/ anti slip surface
9	Top lidded manhole	2	400mm dia. breather system
10	Pump-discharge valve	2	.dia "4
11	Gravity-discharge valve	1	.dia "4



12	Delivery hose	1	dia. x 9meter with coupler and nipples "3
13	Ladder	1	
14	Side bumper	1	Tubular
15	Side Marker Light	6	Alternate color
16	Beacon Light	2	
17	Level Gauge	1	Clear hose w/ valves and fittings
18	Hose Rack	2	Optional – Galvanized or stainless plate
19	Mud Guard	2	3mm thick MS plate
20	Mud Flaps	2	6mm rubber sheet
21	Rear Bumper	1	
22	Dish Stripes	-	As per traffic requirement



■ DIESEL TANKER

Specifications

Elliptical

Tank Shell	ASTM A36
Capacity	17,000 liters (4500 US G) + 3% ullage
Tank Length	6.20 m
Minor Diameter	1.37 m
Major Diameter	2.37 m
Ellipse Ratio	57.6% (circularity)
Service Manhole	2 nos.
Catwalk	Checkered plate flooring
Diesel Level Gauge	
Mudguards with Flaps	

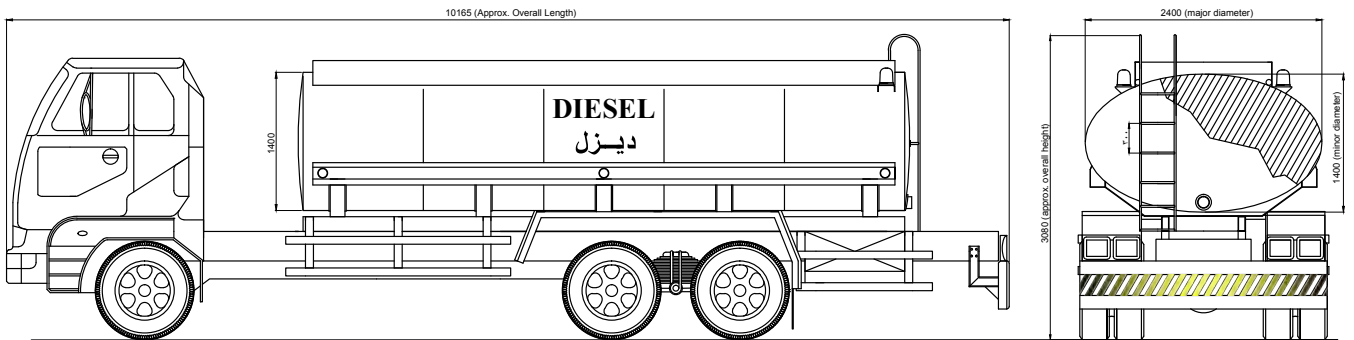
Accessories

- Toolbox
- Side Marker Lights (3 ea. side)
- Fire Extinguishers
- Rotating Beacon
- Hose Reel
- Service Hose
- Diesel Gun
- Diesel Pump (PTO shaft driven / Robin pump)
- Mechanical Fuel Meter (4 digits)
- Access Ladder (six steps)
- Reflecting Sign (Rear Bumper)
- Side Guard Rail

Shot Blasting & Painting

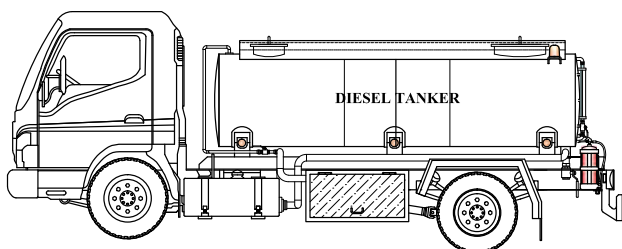
All steel parts shall be sand blasted to SA 2.5 standard and painted with twin coats of primer and finish with Spies Hecker paint for final coating
Color can be as per customer choice.

(All given above specifications may undergo changes as a result of continuous product improvement.)



SIDE VIEW

REAR VIEW

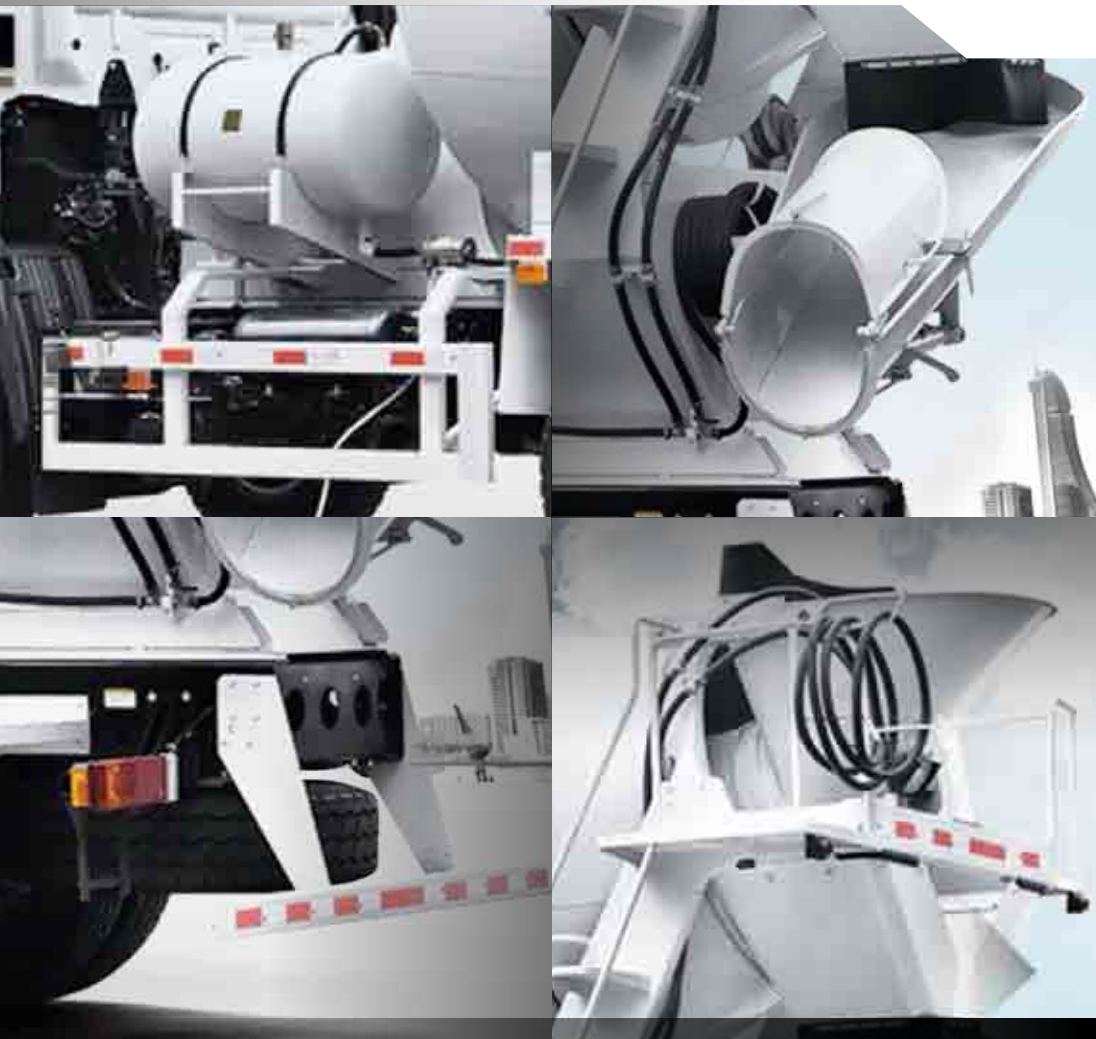


SIDE VIEW

Specifications

Elliptical

Tank Shell	ASTM A36
Capacity	3500 liters + 3% ullage
Tank Length	3.47 m
Minor Diameter	0.90 m
Major Diameter	1.50 m
Service Manhole	2 nos.
Catwalk	Checked plate flooring
Diesel Level Gauge	
Mudguards with Flaps	



C
O
N
C
R
E
T
E
M
I
X
E
R

■ CONCRETE MIXER

Specifications

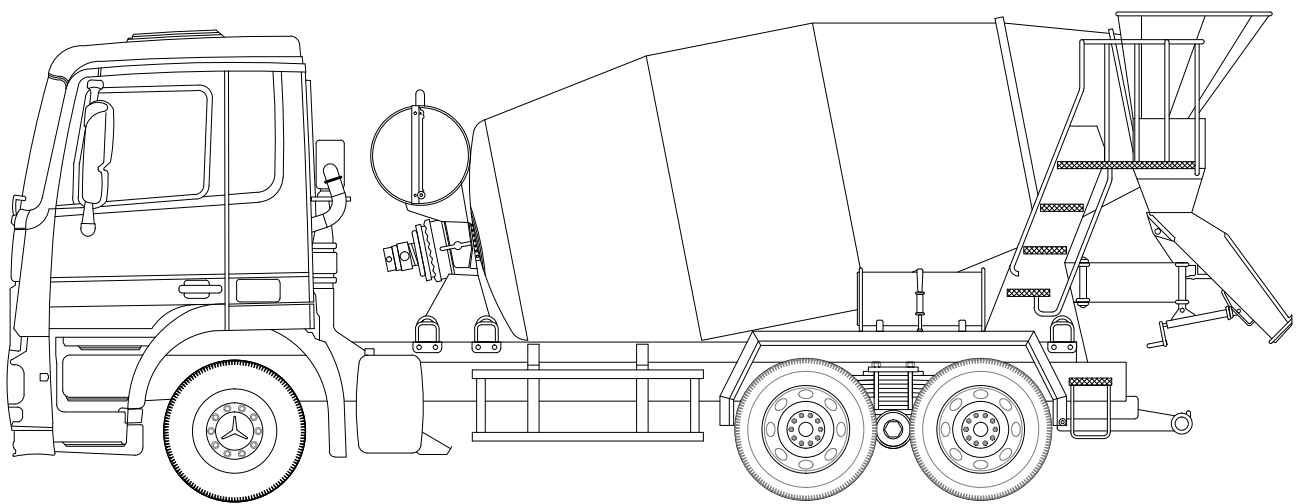
Capacity	6 cubic meter
Length	5960 ± 15 mm
Width	2220 ± 15 mm
Height	2585 ± 15 mm (Excluding truck chassis)
Construction	Drum and blades made from special grade (abrasion resistant) steel plates.
Drum Inclination	14 degrees
Speed of Rotation	0 - 14 RPM
Rotation Control	Mechanical control using double rack lever.
Manholes	2 nos. provided on bottom Cone.
Pump / Motor	
Water Tank	650 liters capacity
Water Pump	PTO shaft driven

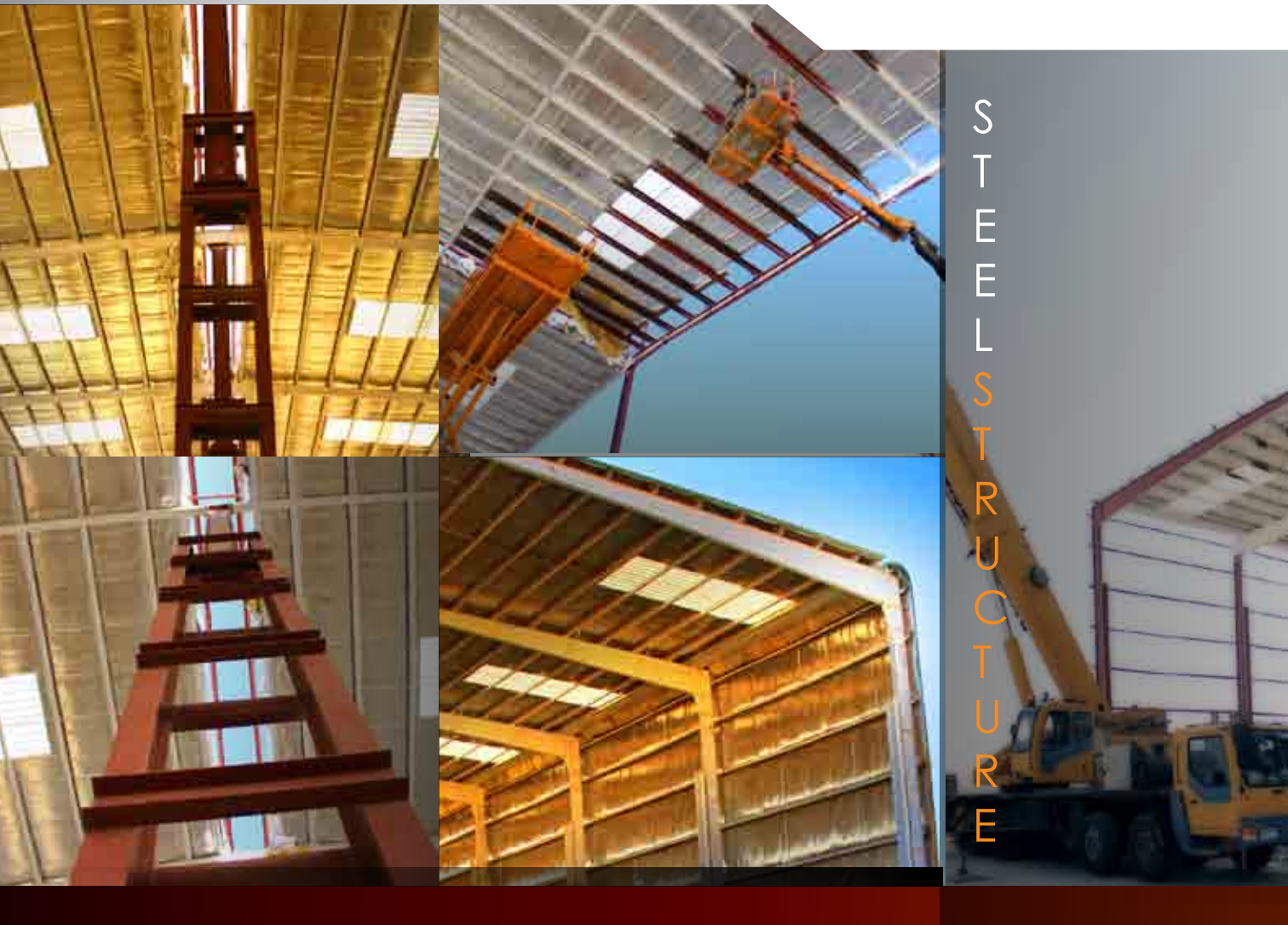
Accessories

- Oil cooling system
- Washing hose
- Access ladder/platform
- Discharge Chute
- Swivel type with range 180° horizontally (left/right)
- 300 Vertically with foldable extension chute
- Mudguards 2 nos with mud-flaps

Shot Blasting & Painting

All steel parts shall be shot blasted and painted with twin coats of primer and finish enamel paint. Color can be as per customer choice.





■ STEEL STRUCTURE

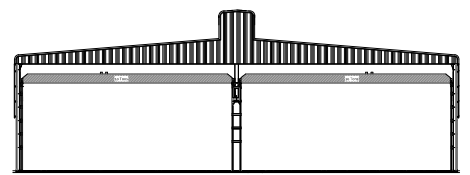
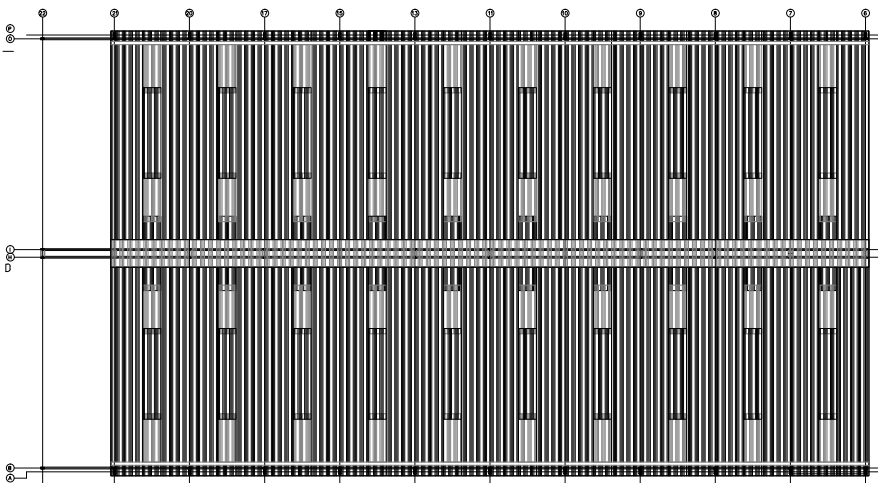
Grand Tiger for Mechanical and Industrial is equipped to carry out the fabrication and erection of steel structures. A professional team consisting of Designers, Engineers, Quantity Surveyors, QA/QC Engineers, fabricators, erectors, operators and skilled labourers join their hands to help the project complete to the client's satisfaction.

Technical specification:

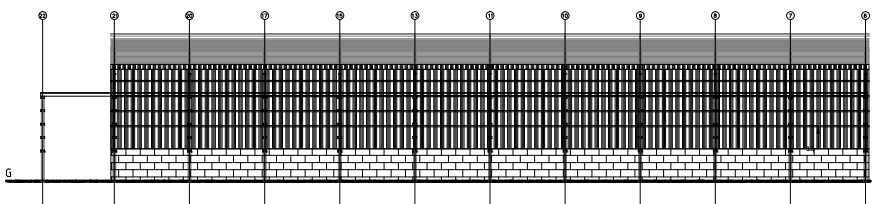
Technical specifications of the Steel Structures would vary from project to project. However, Grand Tiger never compromises to the quality of the job and therefore would persuade the client to comply with the prevailing international standards.



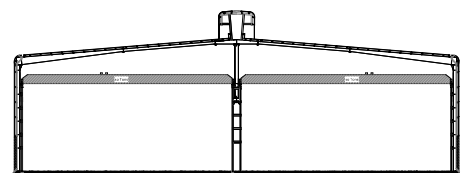
TOP VIEW



REAR VIEW



RIGHT SIDE VIEW



SECTION A

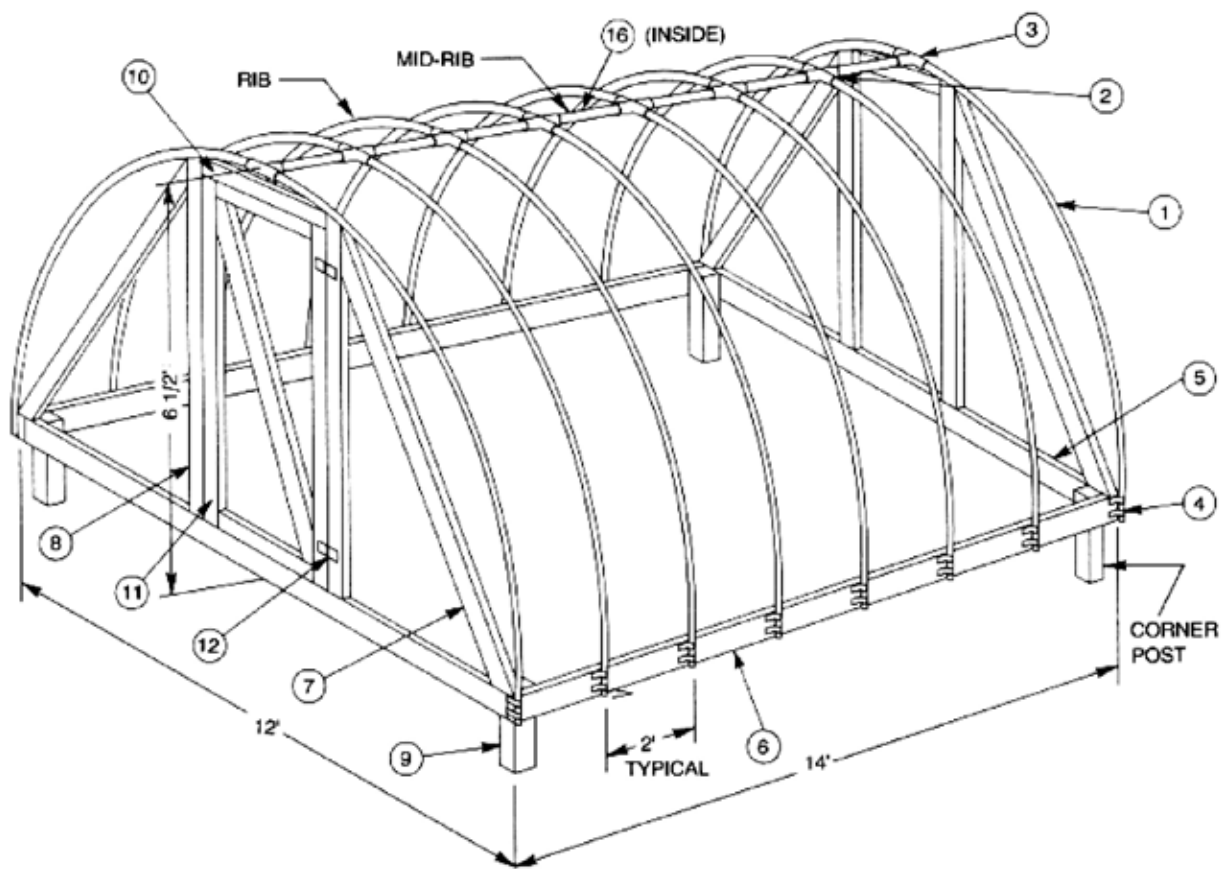


STRUCTURE

■ STRUCTURE

Many a firms have now targeted agriculture as the next area of business. Grand Tiger felt the need of a fabricator in the field. The R&D department of the company made a very serious study on the subject and came up with a solution for affordable structures for Green Houses. A green house would always help cultivation in this part of the world and Grand Tiger would not let our customers down even in this field.

The effective fabrication of Green Houses for various Gardens across the Island has shown that Grand Tiger's customers would never have to knock any other doors for their fabrication and erection needs.

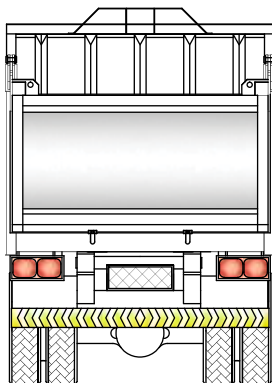
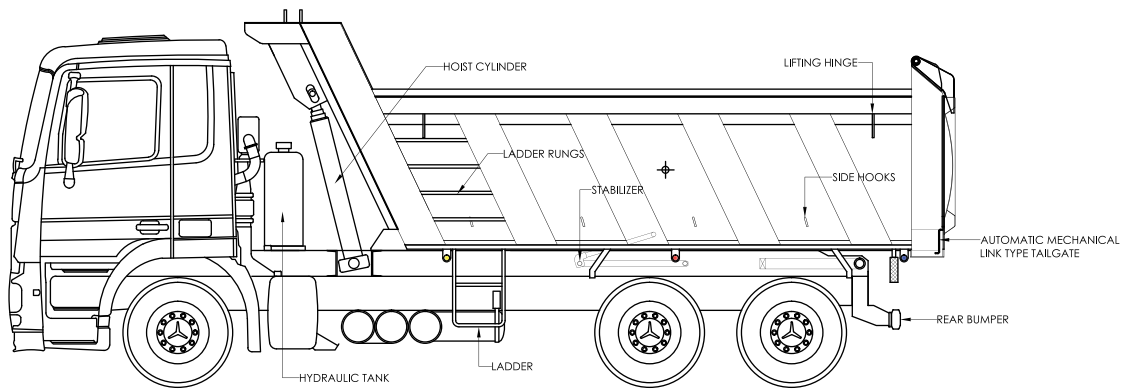




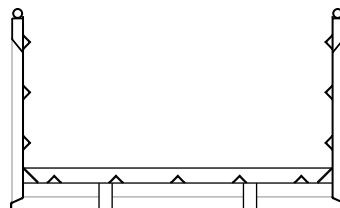
T
R
U
C
K
M
O
U
N
T
E
D

■ Truck Mounted Tipper Body 16 cu m

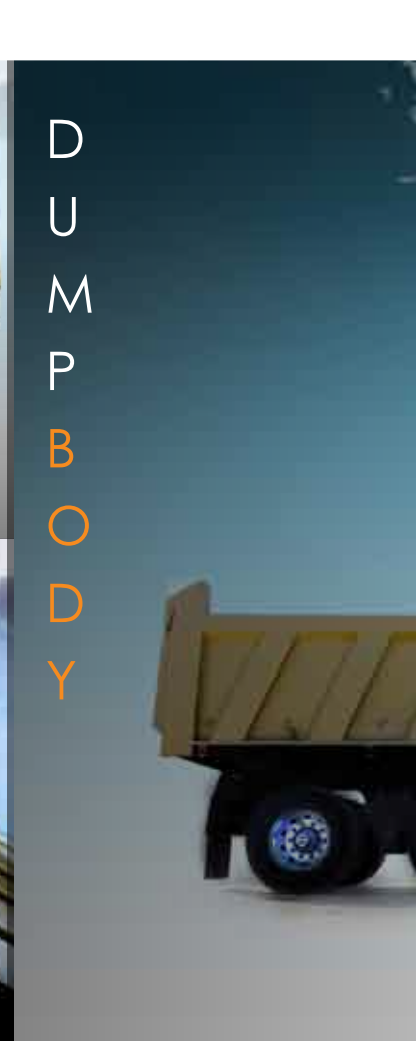
TRUCK MOUNTED TIPPER BODY			
.No	Description	.Qty	Remarks
1	Capacity	-	Depending on vehicle capacity or as per client request
2	Stabilizer	1	Fabricated with tubular section
3	Side board	2	L/R – ASTM A36 or eq. 6mm thick stiffened with 4mm frames
4	Front board	1	ASTM A36 or eq. 6mm thick stiffened with 4mm frames
5	Tail gate	1	ASTM A36 or eq. 6mm thick stiffened with 4mm frames L & R
6	Gate hinges	2	Fabricated w/ 20mm thick ms plate, 40mm dia. pins
7	Gate lock system	2	Automatic lock system
8	Net hooks	10	J" type welded to side cover"
9	Floorboard	1	ASTM A36 or eq. 8mm thick
10	Ribs	12	Optional – Fabricated 5mm channel or "C" bars
11	Sub chassis	i	"C" section 8 x 3"
12	Hydraulic Reservoir	1	BINOTTO brand package
13	Hoist cylinder	1	BINOTTO brand multi stage cylinder, 190 bar max pressure
14	Electrical system	lot	LED. Sealed harness, 5 marker lights per side, tail, reverse and plate number light
15	Bumper	1	Meets under ride requirements
16	Paints	lot	SPIES HECKER brand, color as per requirements



REAR VIEW

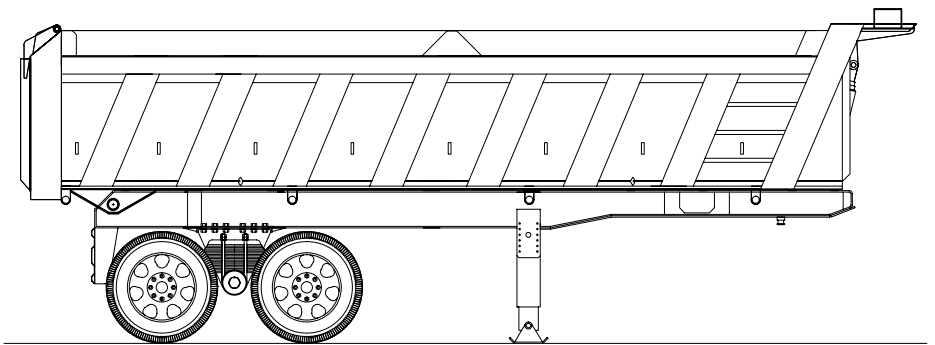
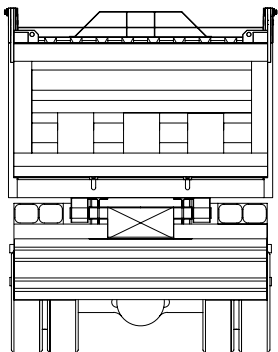


SECTIONAL VIEW



■ TRAILER DUMP BODY 20 CUBIC METER

TRAILER TYPE DUMP BODY			
.No	Description	.Qty	Remarks
1	Capacity	-	Standard design or as per client request
2	Stabilizer	1	Fabricated with tubular section
3	Side board	2	L/R – ASTM A36 or eq. 6mm thick stiffened with 4mm frames
4	Front board	1	ASTM A36 or eq. 6mm thick stiffened with 4mm frames
5	Tail gate	1	ASTM A36 or eq. 6mm thick stiffened with 4mm frames
6	Gate hinges	2	Fabricated w/ 20mm thick ms plate, 40mm dia. pins
7	Gate lock system	2	Automatic system
8	Net hooks	18	J” type welded to side cover”
9	Floorboard	1	ASTM A36 or eq. 8mm thick
10	Ribs	15	Optional – Fabricated 5mm channel or “C” bar
11	Runner	2	Heavy duty tubular section
12	Trailer chassis	1	Heavy duty “I” beams w/ cross members



13	Hydraulic Reservoir	1	BINOTTO package
14	Hoist cylinder	1	BINOTTO or equivalent, multi stage cylinder, 200 bar max pressure
15	Kingpin plate	1	12mm thick MS plate
16	King-pin	1	.dia "2
17	Landing leg	1	.FUWA – 20ton load cap. / 80 ton static load cap
18	Axle	1	Double axle (16x2) leaf spring type
19	Tyre	8	Optional: 22.5 or 24.00
20	Electrical system	lot	LED. Sealed harness, 5 marker lights per side, tail, reverse and plate number light
21	Brake system	lot	Quick change feature; air brake system
22	Bumper	1	Meets under ride requirements
23	Paints	lot	SPIES HECKER brand, color as per requirements



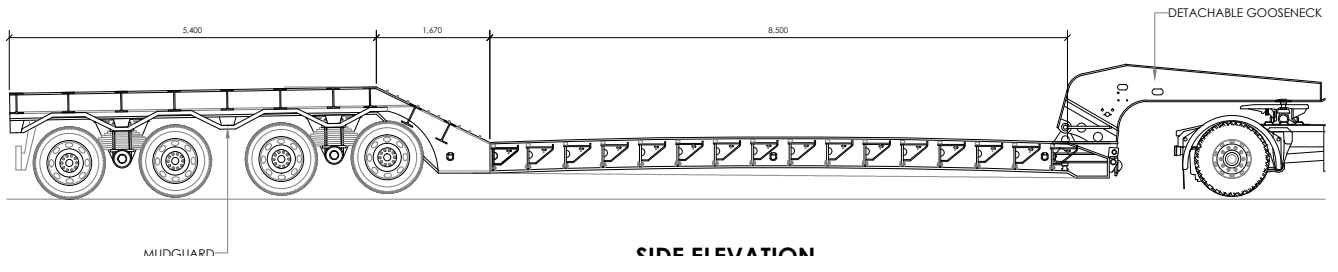
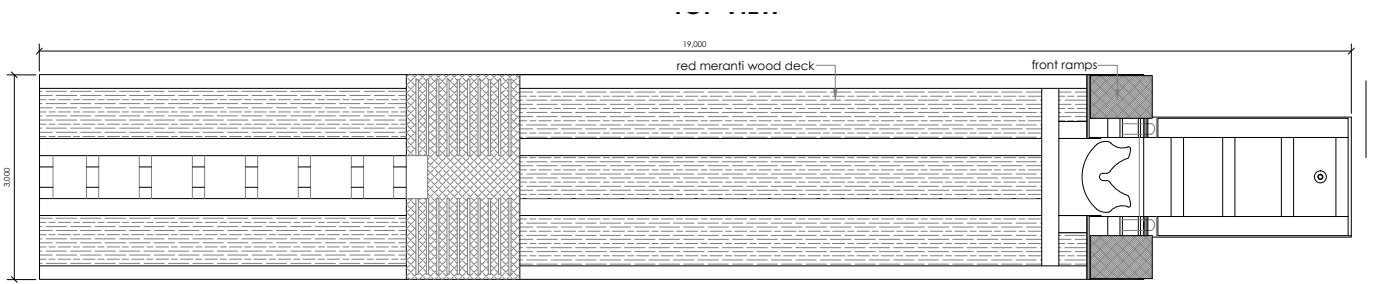
T
R
A
I
L
E
R
1
2
0
T
O
N
S

■ TRAILER 120 TONS

Capacity	120 Tons
Overall Length	19.00 m
Overall Width	3.00 m
Gooseneck Designs	3.70 m
Swing Clearance	2.50 m
Load Well Length	8.50 m
Rear Deck	5.40 m
Fifth Wheel Height	1.40 m
King Pin Setting	0.40 m
Ground Clearance	0.20 m (loaded)
Deck Height	0.70 m
Axle Spacing	1.56 m

Specifications

Axles	Two (2) ea 25,000 lbs capacity axles (double axle)
King Pin	3" Heavy Duty
Tires	16 ea 255/70 R x 22.5 "H" load range
Wheels	16 ea 8.25 x 22.5, 10 hole hub piloted steel disc wheels
Brakes	16.5x7 air brakes with brakes with spring parking brake
Suspension	Spring Leaf type
Front Ramps	Double hinged front loading flip ramps with grousers
Electrical	24 Volts electrical system with 7 way SAE connector. All lights LED mounted in rubber grommets to DOT standards
Hydraulics	Wet line hook-up on trailer for tractor PTO operation
Decking	Red meranti flooring 45mm thick, open center, secured to frame with 8 mm self-tapping torque screws
Tie Downs	16 ea "D" rings 6 ea side on main deck, 2 on rear deck
Out Riggers	30 ea removable outriggers with double up front and double middle of load well, 16 ea side
Shot Blasting & Painting	Sandblast to SA 2.5 standard painted primer coating & Spies Hecker paint for final coating



SIDE ELEVATION

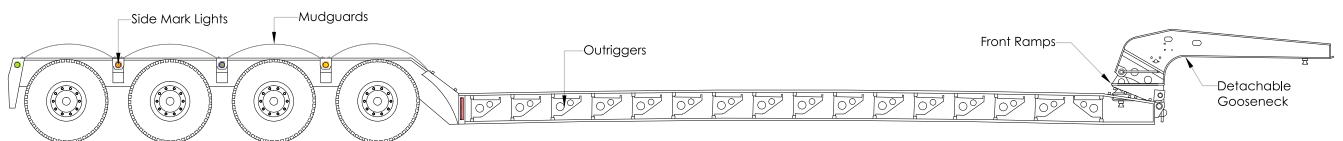
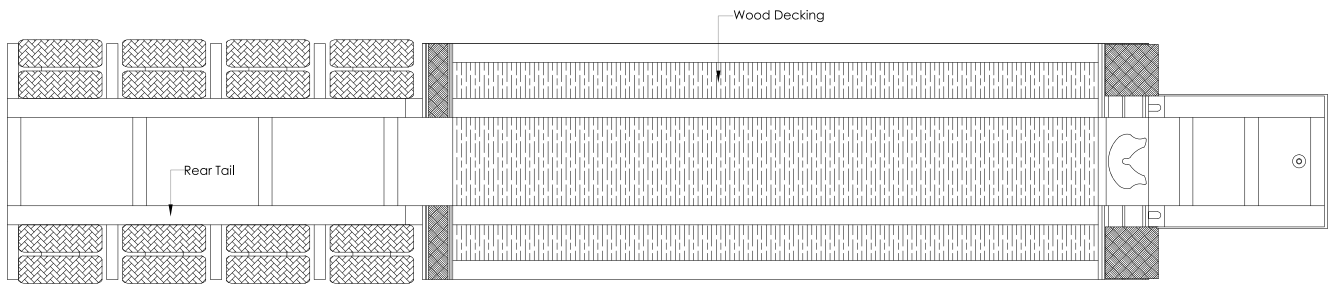


T
R
A
I
L
E
R
8
0
T
O
N
S

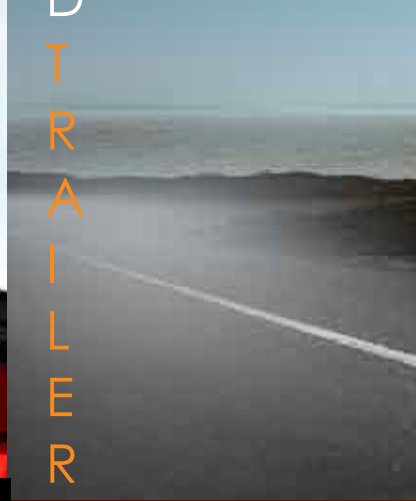
■ TRAILER 80 TONS

Specifications

Capacity	80 Tons
Overall Length	17.30
Overall Width	3.10 m
Gooseneck Designs	3.66 m
Swing Clearance	2.50 m
Load Well Length	8.50 m
Rear Deck	5.20 m
Fifth Wheel Height	1.27 m
King Pin Setting	0.40 m
Ground Clearance	0.20 m (loaded)
Deck Height	0.70 m
Axle Spacing	1.56 m
Axles	Four (4) ea 25,000 lbs capacity axles
King Pin	3" Heavy Duty
Tires	16 ea 255/70 R x 22.5 "H" load range
Wheels	16 ea 8.25 x 22.5, 10 hole hub piloted steel disc wheels
Brakes	16.5x7 air brakes with brakes with spring parking brake
Suspension	Spring Leaf type
Front Ramps	Double hinged front loading flip ramps with grousers
Electrical	24 Volts electrical system with 7 way SAE connector. All lights LED mounted in rubber grommets to DOT standards
Hydraulics	Wet line hook-up on trailer for tractor PTO operation
Decking	Red meranti flooring 45mm thick, open center, secured to frame with 8 mm self-tapping torque screws
Tie Downs	16 ea "D" rings 6 ea side on main deck, 2 on rear deck
Out Riggers	32 ea removable outriggers with double up front and double middle of load well, 16 ea side
Shot Blasting & Painting	Sandblast to SA 2.5 standard painted primer coating & Spies Hecker paint for final coating

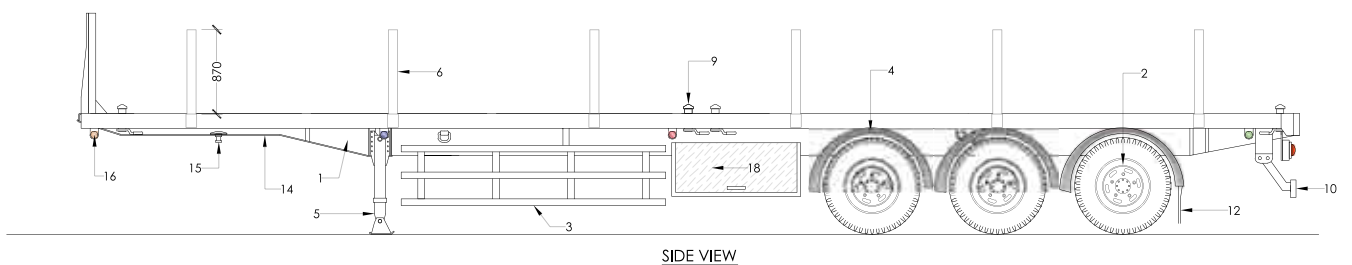
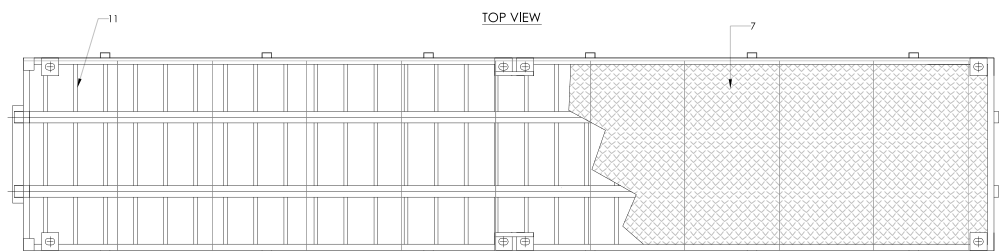
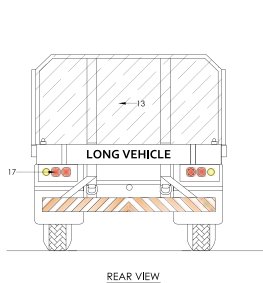


SIDE VIEW



■ FLATBED TRAILER

FLAT BED TRAILER			
.No	Description	Qty	Remarks
1	Total length	-	13.50m
2	Width	-	2.50m
3	Side rails	14	heavy duty channel bars "4
4	Side frame	2	heavy duty channel bars "6
5	Side bumper	lot	Fabricated with tubular section
6	Rear bumper	1	Meets under ride requirements
7	Front board	Lot	Tubular section with 3mm thick plate
8	Floorboard	lot	Optional: 3-4mm thick checkered plate or wood stiffened with 4" beams
9	Chassis		Heavy duty "I" beams
10	Container lock system	8	Twist lock container lock system
11	Kingpin plate	1	12mm thick MS plate
12	Kin-pin	1	.dia "2
13	Landing leg	1	FUWA – 28ton load cap./pair, 80ton static load/pair
14	Axle		(axle (3x12tons 3
15	Suspension	lot	Optional – Air suspension or leaf spring type
16	Tyre	lot	Optional - 385/65R 22.5
17	Electrical system	lot	LED, Sealed harness, 5 marker lights per side, tail and turn per .side on rear
18	Brake system	lot	Quick change feature; air brake system
19	Paints	lot	Sand blasted, SPIES HECKER paint, color as per requirements

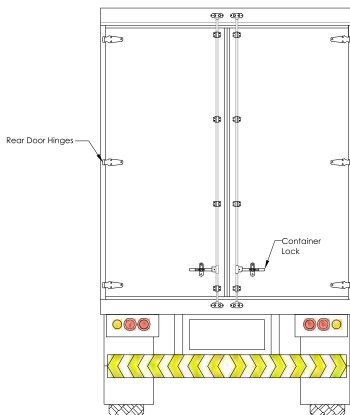
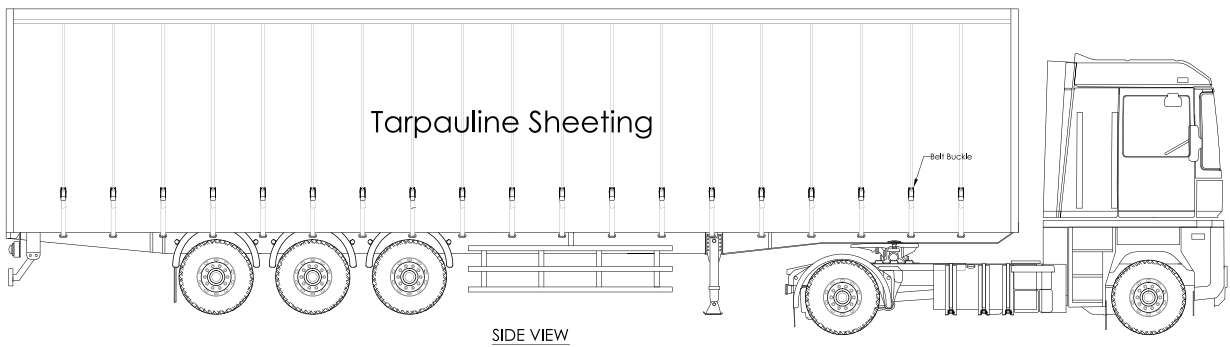




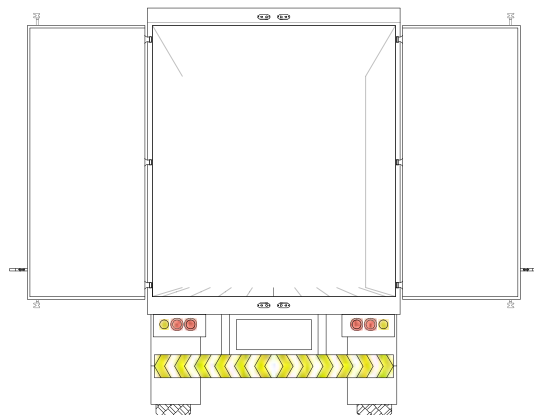
■ CURATIN SIDE TRAILER

The curtain side is a flatbed trailer containing a front, a roof and rear doors, similar to that of van and having side curtains that slide like a shower curtain. With the experience Grand Tiger has secured in fabrication low bed trailers and other structural activities, our engineers were able to design and fabricate curtain side trailers effectively.

Now the curtain side trailers adds to the product range of Grand Tiger.



REAR VIEW

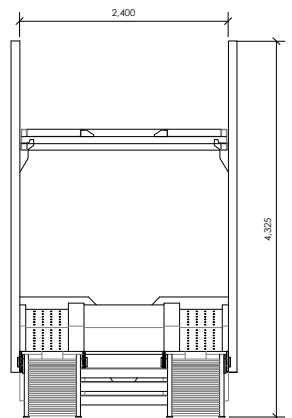


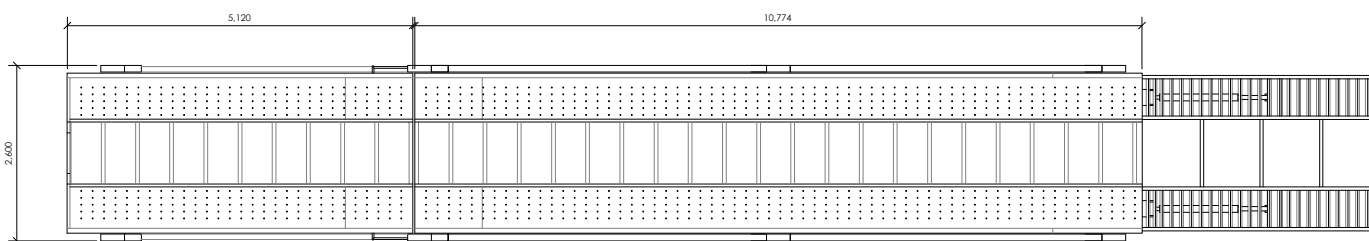
OPEN REAR VIEW



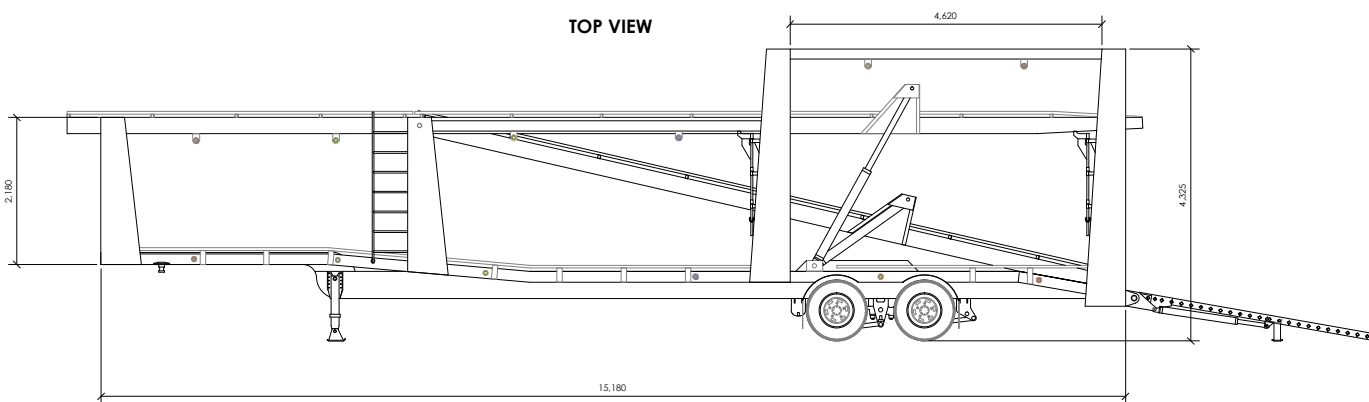
■ CAR TRANSPORTER

This standard type of car carrier is just ticket for auto dealers and enthusiasts alike. It comes equipped with all the features you need to carry vehicles across the town. Grand tiger has proved that it is capable to manufacture such units, though other manufacturers on the Island might not have thought about doing one.





TOP VIEW





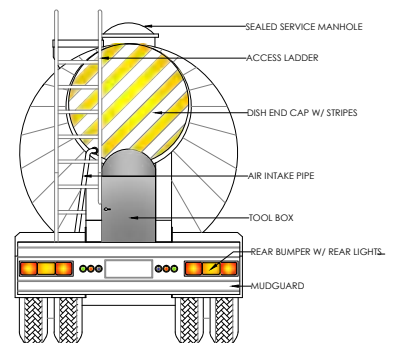
C
E
M
E
N
T
B
U
L
K



■ CEMENT BULK TANKER

Specifications

Capacity	16.88 cubic meter
Overall Length	9,250 ± 15 mm
Width	2,100 ± 15 mm
Height	3,980 ± 15 mm
Fifth Wheel Height	1.28 m
Axles	Double 2x9,500 kgs
Tires	8 x 12R24"
Axle Spacing	1.56 m
Weight	2,200 kgs (Approx.)
Pump lines	Suction: 152mm (6") Discharge: 127mm (5") Flow Rate at 64 psi: 3.7 m ³ /min (23bpm) Maximum closed in pressure: 0.49 MPa (70 psi)

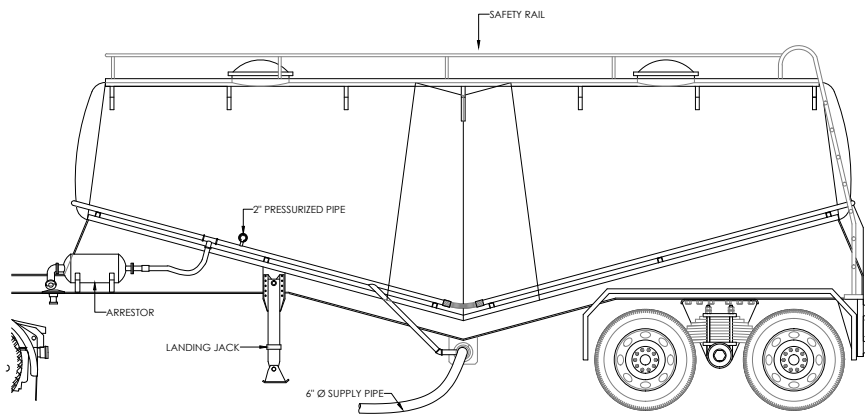


REAR ELEVATION

Shot Blasting & Painting

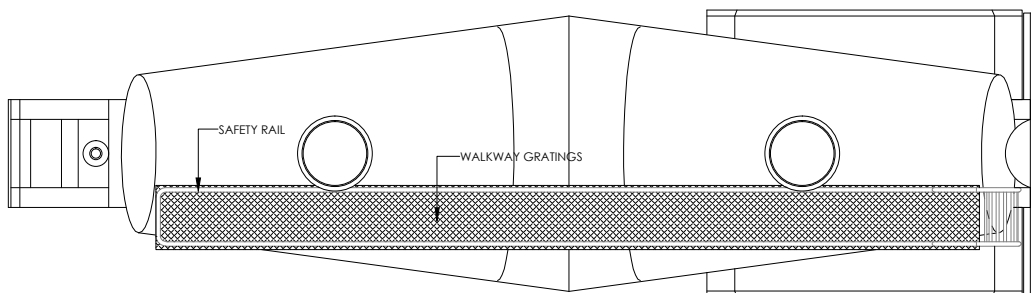
All steel parts shall be shot blasted and painted with twin coats of primer and finish enamel paint. Color can be as per customer choice.

(All given above specifications may undergo change as a result of continuous product improvement.)



SIDE ELEVATION

TOP VIEW

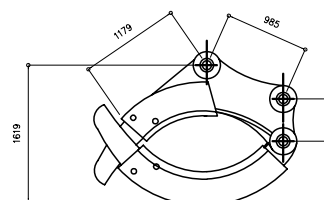
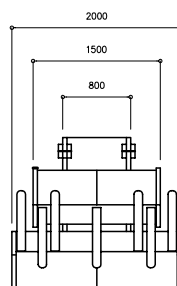
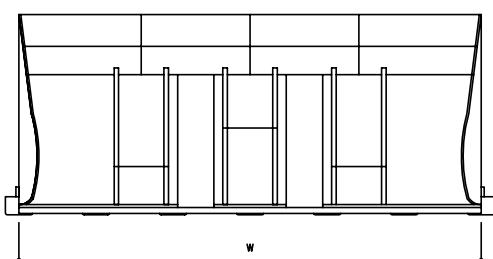




A
T
T
A
C
H
M
E
N
T
S

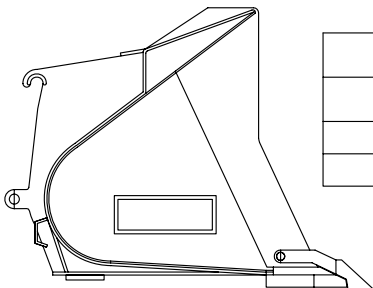
■ ATTACHMENTS

At Grand Tiger, attachments for heavy equipments are fabricated in house. The fabricated attachments follow are custom made and follows the standard of the equipment manufacturer. All dimensional standards as well as welding specifications involved in this fabrication have requirements that do not allow for any error. Our fabricated attachments have proved to be next to none in carrying out the activities intended.





EXCAVATOR BUCKET



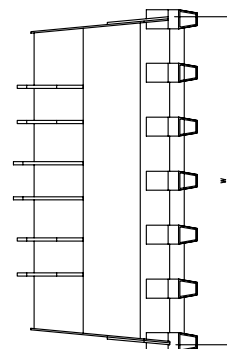
BUCKET SPECIFICATION : (GENERAL DUTY BUCKET)		
WIDTH	CAPACITY	WEIGHT
750MM	.41 CU.M	787 LBS.
900MM	.53 CU.M	888 LBS

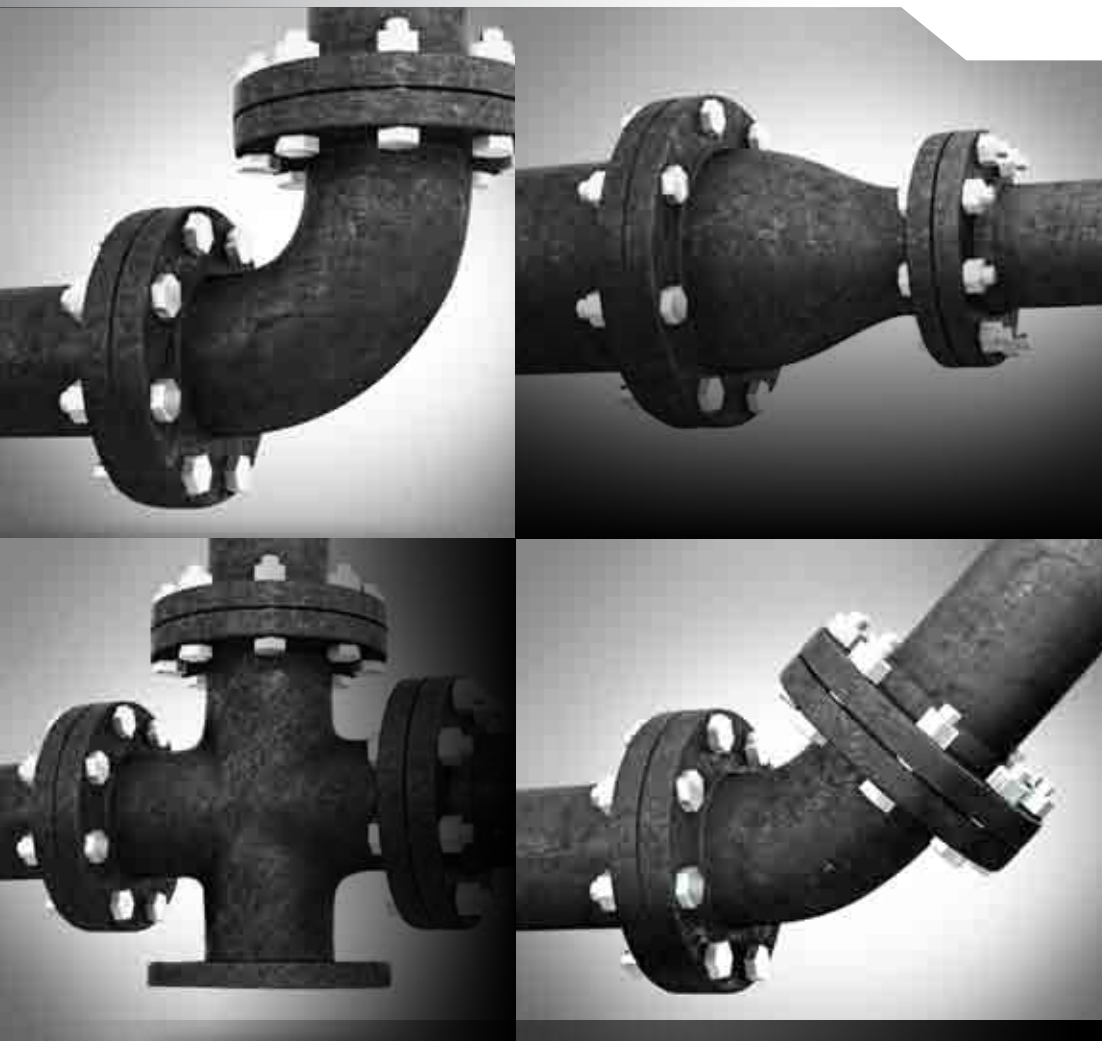
TECHNICAL SPECIFICATIONS :

LOADER BUCKET

BUCKET SPECIFICATION : (ROCK BUCKET)		
WIDTH	CAPACITY	WEIGHT
3040MM	3.8 CU.M	3664 LBS.
2900MM	3.4 CU.M	3301 LBS

LOADER BUCKET





■ PIPING WORK (WELDING & FITTINGS)

Each piece of piping for the industrial and mechanical purpose has to be custom made; including that for the refineries and other plants. The dimensional standards as well as welding and fitting specifications have requirements that do not allow for any error. It demands strict piping fabrication and construction management. This is achieved by utilizing induction bending and automatic welding machines.

Grand tiger can provide a synergy based complete piping works execution proposals on individual services scope. With the broad range of piping works service we render, Grand tiger is capable of offering the most effective solutions to meet our customers' requirements.

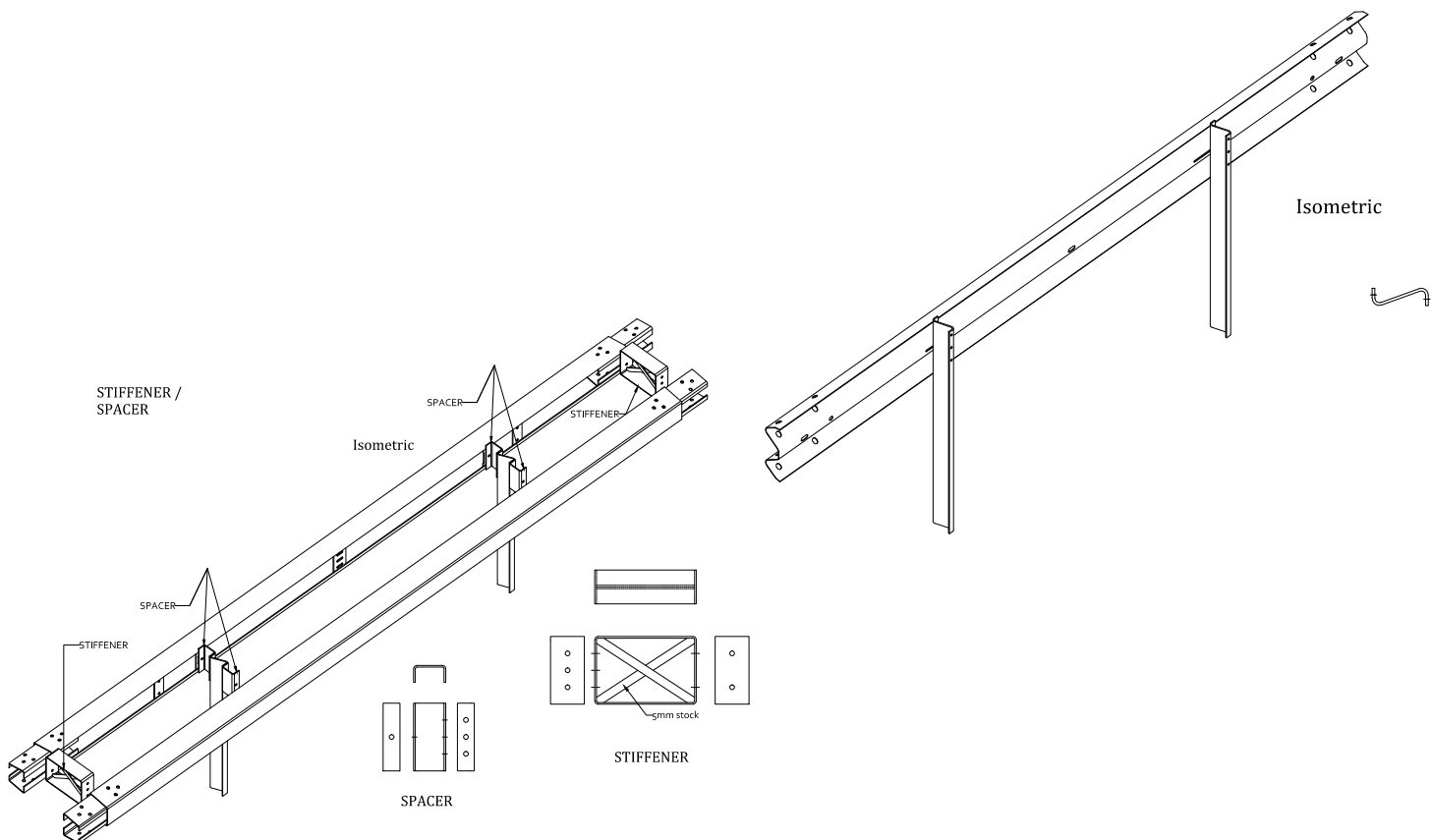




C
R
A
S
H
B
A
R
R
I
E
R
S

■ CRASH BARRIERS

Crash Barriers fabricated at Grand Tiger's facilities have won appreciation from far and wide. The barriers are manufactured to the standards of the Ministry of Works, Kingdom of Bahrain and are Hot Dipped Galvanised.

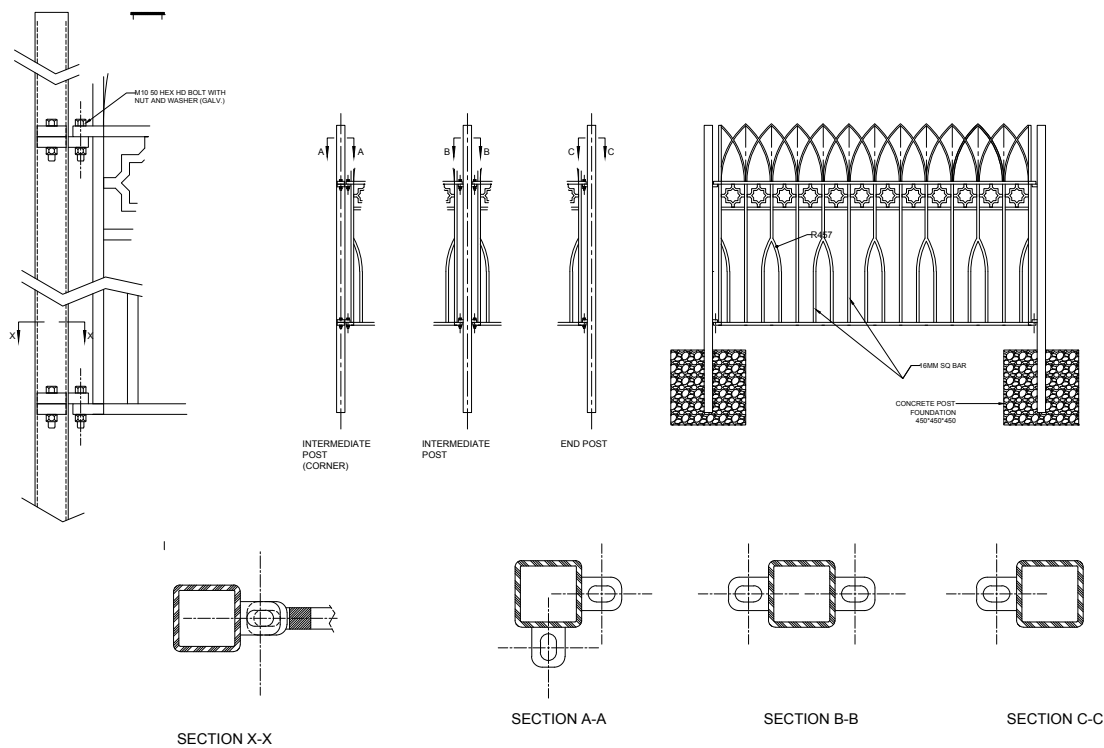




C
H
A
I
N
L
I
N
K
F
E
N
C
E

■ ROAD FENCE & RAILING

In addition to the Crash barriers and Chain Link Fence, at Grand Tiger, we fabricate and install other types of perimeter fencing and railings. We were proud to be part of the expansion of the Awali Field by Tatweer Petroleum and have installed perimeter fencing for various well sites. Furthermore, we have installed the railings fabricated in house for a number of well site preparation projects including that or the Khuff wells and GDUs.





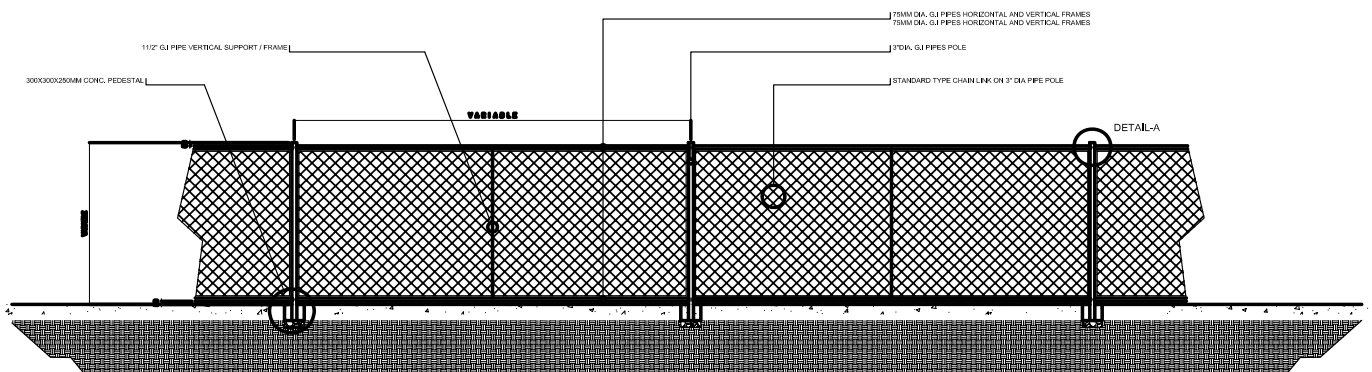
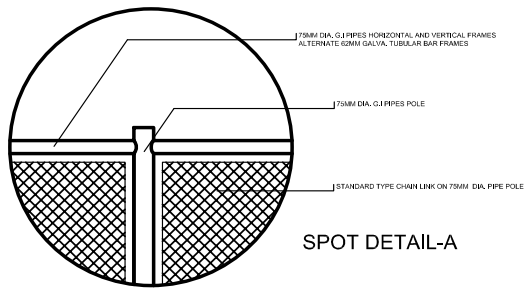
C
H
A
I
N
L
I
N
K
F
E
N
C
E

■ CHAIN LINK FENCE

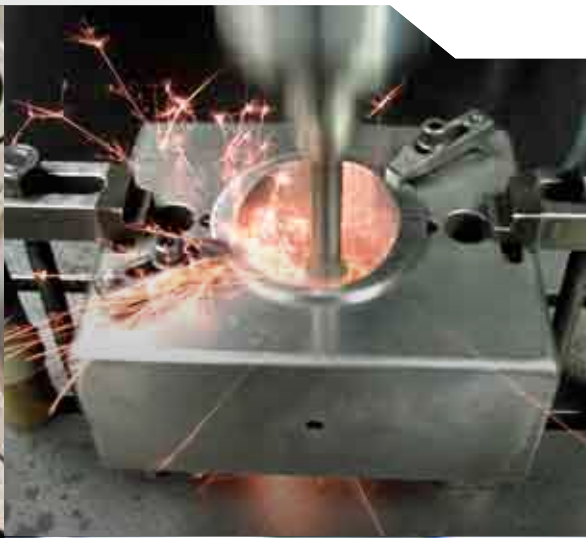
Grand Tiger has executed many project for the supply and installation of fences both for private and public sector all over Bahrain

We supply and install of PVC vinyl coated fences, barbed-wire fences, chain-links or as per customer requirements. We also proposed designs to suit with the aesthetics and urban environment of the area. The top and bottom of the fence are available in either barbed or knuckled finishes, or a combination of both Grand Tiger also supply and install portable fencing. We carried out the installation of Hot-dipped galvanized removable fences for the oil-pumping unit of BANACO TATWEER.

They are designed to protect the oil pumping unit to avoid possible damage that may cause by wild animals, motorist and for safety reasons these fences will help prevent anybody to get close into the un-safe area of the machine while it's running. Our fence materials are durable, weather resistant and can be installed and relocated within minutes, providing strong and durable protection and security at your jobsite.



FENCE DETAIL ELEVATION
SCALE: N.T.S.



M
A
C
H
I
N
I
N
G

■ MACHINING

Grand Tiger also produces a wide range of engine parts such as that for engine blocks. Such manufacturing is done using machine tools of sophisticated nature and utmost care is taken in producing them.

International standards as well as the standards of the manufacturers are followed while manufacturing these items. Grand tiger guarantees high quality for the finished products.





G
E
A
R
S
&
D
R
I
L
L
I
N
G
B

■ DRILLING

Drilling is a type of cutting process that uses a drill bit to cut or enlarge a hole of a circular cross section in solid materials. The drill bit is a rotary cutting tool, often multipoint. The bit is pressed against the work piece and rotated at rates from hundreds to thousands of revolutions per minute. This force the cutting edge against the work piece, cutting off chips from what will become the hole being drilled. drilling may affect also the mechanical properties of the work piece by creating low residual stresses around the hole opening and a very thin layer of highly stressed and disturbed material on the newly of a consistent and high quality finished product for the purpose intended.

At Grand tiger we use precision tools to make sure that the activity has been carried out precisely.



■ GEARS

A rotating machine part having cut teeth or cogs which mesh with another toothed part in order to transmit torque are termed are Gears. Two or more gears working in tandem are called a transmission which can produce a mechanical advantage through a gear ratio and thus may be considered a simple machine.

Geared devices can change the speed, torque and direction of a power source. Manufacturing of Gears has to done only by professionals who would understand the purpose of the product manufactured. At Grand Tiger, we have a team of professionals who take great enthusiasm in manufacturing such parts.



C
A
S
T
I
N
G

■ **STEEL & ALUMINUM CASTING**

Steel castings are used when cast irons cannot deliver enough strength or shock resistance to the materials. Steel casting are categorized into two general groups; carbon steel and alloy steels. Alloy steel castings are broken down into two categories: low alloy steel and high alloy steels.

Grand Tiger is equipped to carry out the steel and aluminium casting which follows the International and National standards and regulations for casting.





W
E
L
D
I
N
G
S

■ WELDINGS

Every piece of steel used for welding has to be custom made. The standards for the welding works require thorough scrutiny as Welding eventually joins two independent pieces of iron.

Grand tiger's welders are qualified and are third party certified. They undergo a series of tests every year for their certificates to get renewed.

The welding procedures were prepared with utmost care and our procedures were certified by Bureau VERITAS.

Grand tiger uses the latest welding methodology and the workshop facility is equipped with the latest welding equipments.

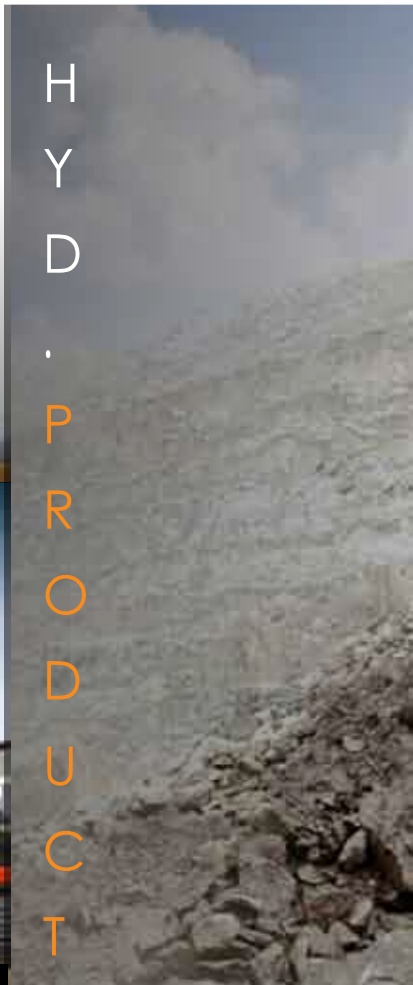




■ **HYD. HOSE & FITTINGS** CRIMPING

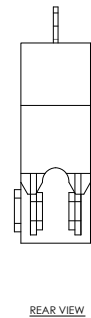
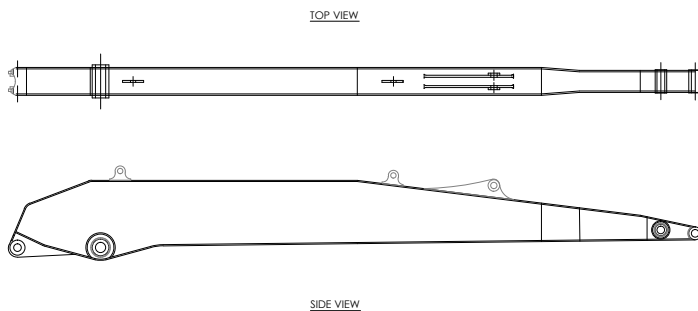
Hydraulic hose fittings constitute an integral part of industrial systems. Hydraulic hose fittings can have a serious impact on the efficiency and performance of hydraulic tools and as such are an important consideration while purchasing new hoses or equipments. This highlights the importance of the hydraulic hose crimping methods to ensure the stability industrial machines and equipment. Grand Tiger can supply and can always guarantee the best quality finished product for the purpose intended.

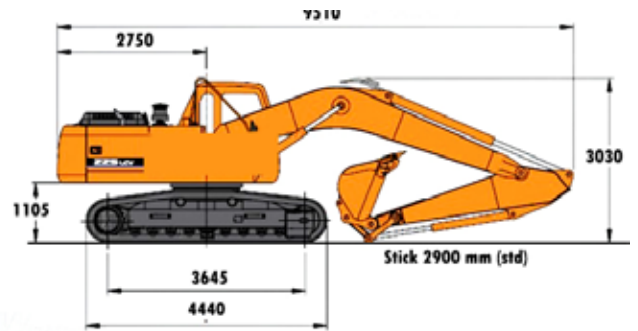
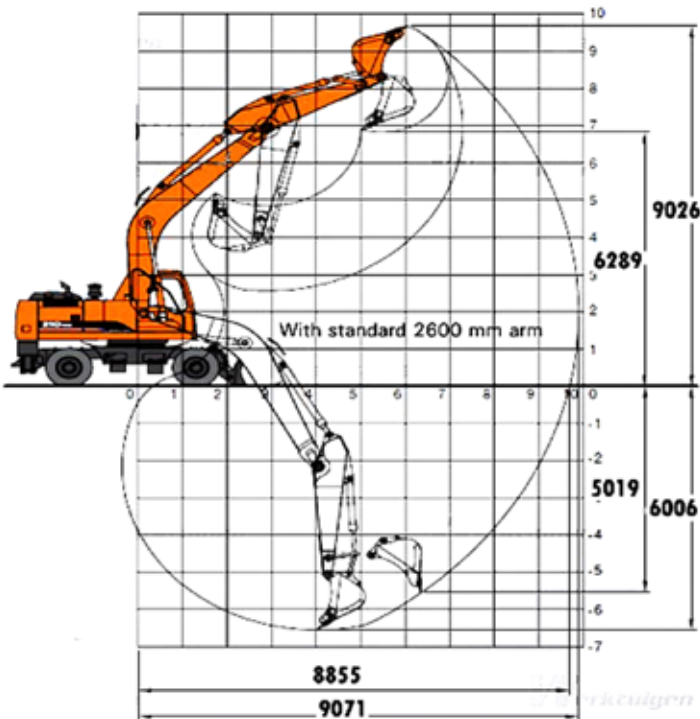




H
Y
D
·
P
R
O
D
U
C
T

■ LONG BOOM





This Brochure

Details Our
excellence
in various
categories
which are
expanding
everyday.

GRAND TIGER

MECHANICAL & INDUSTRIAL



Tel: 17 621 971

Fax: 17 620 213

P.O.Box: 80022

Sanad, Kingdom of Bahrain

E-mail: gtiger@batelco.com.bh

Website: www.grand-tiger.com



We adopt iron



■ OUR VISION:

To be recognized as the largest qualified manufacturer of reliable fabricated products.

■ OUR MISSION:

To provide reliable products and best possible service for our clients, under one roof at reasonable prices.

All your requirements shall be met in our company under one roof with the provision of very prompt delivery and services.

■ OUR ACTIVITIES:

We are equipped to carry out the following activities.

- Structural Steel Fabrication and Erection
- Sand Blasting, Painting, Specialist Coating and Fireproofing
- Refractory Lining and Associated Services
- Civil Construction and Foundation Work
- Structural Steel fabrication
- Crane and Equipment Hire
- Erection, repair and cleaning of storage tanks
- Mechanical installations

■ OUR CUSTOMER SERVICE:

Our customer service is available 7 days a week from 7.00 AM to 7.00 PM to answer your questions about product ordering, availability, pricing and distributor locations. We take great pride in providing superior service to all of our customers and strive to establish long-term working relationships in order to ensure delivery of high quality products.

■ OUR STAFF:

We have dedicated and professional Managers, Engineers, Quantity Controllers, Safety Officers, Foremen, and trained welders and employees to cater to all variety of customer needs. The staff abilities are periodically upgraded by means of on job training and classes, suitable tested with certifications, and are looked after well.

■ OUR ACCEPTANCES:

We accept the following engineering works.

- Steel form fabrication
- Steel truss fabrication
- All kinds of aluminum welding
- All kinds of plate bending / pipe welding
- All kinds of spare parts duplication as per sample
- Tanker fabrication
- Dump box fabrication
- Jack hammer over hauling
- Building aluminum and glass fabrication
- Wood and steel window frame / all designs
- Gear fabrication as per sample
- Injection pump diesel / calibration
- Cylinder head/block engine crack test
- Cylinder head valve set ring / valve re-setting

■ OUR STRENGTHS:

- Grand Tiger Mechanical & Industrial (GTMI) is the first company on the island that had been provided by the Ministry of Bahrain with an industrial license certificate to manufacture truck, trailer, and tanker bodies (License No. 3198/01
- Our resources include a fully equipped pre-fabrication workshop
- Modern fleet of construction equipment
- Experienced team of permanent employees which includes qualified engineers / administrators / and welders
- Mechanical works such as cylinder head reface/reset and all heavy and light equipment spare-parts duplication, building truck and trailer bodies, sewerage tankers or vacuum tankers, drinking water tankers, low-beds, etc
- We have the facility of all types of lifting equipments such as cranes, forklift trucks, telescopic handlers & man lifts.
- Our equipment and machinery is in conformity with international standards. Our man power has been imported from India, Thailand, Vietnam, Yemen and Nepal who have specialization in fabrication works.
- Our ISO 9001:2008, ISO 14001:2004, OHSAS 18001:2006 certified manufacturing facilities house and display for the visibility and clarity of visiting customers and also for training our plant erection engineers.

■ OUR PLANT & EQUIPMENT:

We have our own range of plant and equipments for quick movement of man and machine as and when required without wasting time and money. The plant and equipments are of the latest standards with high priority given to safety measures.